

TP-702N



Transpak offers upgraded fully automatic strapping machines, designed specifically for the printed media industry. They are particularly suitable for newspaper, magazine, commercial and mail order strapping. In this category, we have six models to meet your various needs:

- In-line cross strapping system TP-702NIL
- Fully automatic strapping machine TP-702NS
- Fully automatic longitudinal strapping machine TP-702NL
- Cross strapping system with multi-angle diverter TP-702NAD
- Fully automatic strapping machine for magazine TP-702MGZ
- Cross strapping system with turntable TP-711NT

PRINTED MEDIA STRAPPING MACHINE

In-line Cross Strapping System

Cross strapping without bundle turning

TP-702NIL

(TP-702NIL consists of TP-702NL Longitudinal Strapping Machine and TP-702NS Strapping Machine)

The TP-702NIL is a fully automatic strapping system for in-line cross strapping. The design without bundle turning can secure the integrity of the bundle for cross strapping.



Main Features

- **Automatic tension control for various bundle dimensions** (patents registered)
- Up and down stream interlocks with complete plug connection
- Fully automatic operation with variable conveyor speed
- **Siemens PLC control and touch panel**
- Light tree alarm (dual lamp)
- Waist-high auto strap feeding
- Dual pneumatic press
- Adjustable compression system
- Automatic end-strap detection and ejection
- Automatic strap loop ejection
- Adjustable table height between 800 mm and 900 mm
- Quick coil change



Robust & Compact Mechanical Strapping Head

TP-702N uses the latest DC brushless motor technology to provide the highest level of accuracy and reliability on the market. All motors are German-made.

The strapping head has no belts, clutches or pulleys. It is designed with up-to-date technology with few moving parts. With 30% fewer parts, TP-702N requires fewer adjustments, has fewer wear components, and requires less maintenance. The simple design of TP-702N minimizes the maintenance cost.



REVOLUTIONARY INTELLIGENT

Automatic Self-adjusting Strap Chute (patents registered)

The strap chute can detect the incoming bundle height and stop at the accurate position. This revolutionary intelligent design can streamline your strapping line and increase the strapping cycle speed.



Siemens Touch Panel

Provides easy adjustments, operating instructions and trouble shooting guides. Easy TEACH-IN programming without the need to adjust the setting when changing to different bundle size.



Easy Access to Strapping Head (patents registered)

The whole strapping head can be completely pulled out during production. With this most user friendly design, operators can perform maintenance directly without pulling out the machine from the production line.

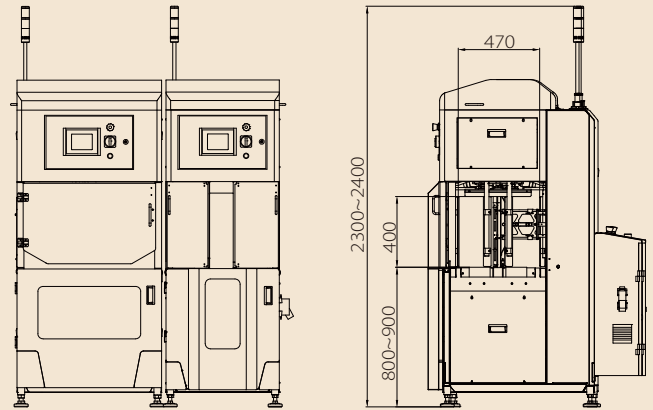
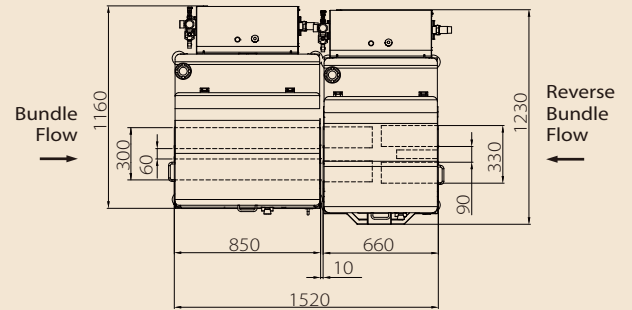


Free Access to Strap Guides (patents registered)

Unblock the guides enabling free and quick access to strap guides without the use of any tools. The most maintenance-friendly design.

Options

- Energy saving transit with auto sleep mode
- **Operator friendly low strap sensor** (triple lamp)
- Soft press for convex bundle
- Lower adjustable table height with movable casters (730 mm – 830 mm)
- **Automatic side squaring**
- **Reverse bundle flow**
- Low volume bundle bypass
- Movable casters (picture shown with this option)
- Lever switch for bundle with wrapping



TP-702NIL Technical Data

Capacity Up to 31 bundle/minute

Bundle Size

Width	max 450 mm	min 120 mm
Length	max 500 mm	min 210 mm
Height	max 400 mm	min 10 mm

Bundle Weight max 25 kg

Strap Width 5 mm, 6 mm or 9 mm P.P. strap

Strap Tension 1-32 kg

Strap Coil 200 mm (150 mm optional)

Sealing Method Heat Sealing

Electrical Requirements

220V, 380V, 400V 50/60 Hz 3PH

Transport Speed 10-60 M/minute

Power Consumption 2.0 kW

Pneumatic Source 6 bar

Air Consumption 2.5 liter/cycle

Net Weight 880 kg

Fully Automatic Strapping Machine

High speed strapping machine for single and parallel strapping

TP-702NS

The TP-702NS is a fully automatic strapping machine. With its high speed strapping, it can be integrated into most production lines and be utilized with various applications.

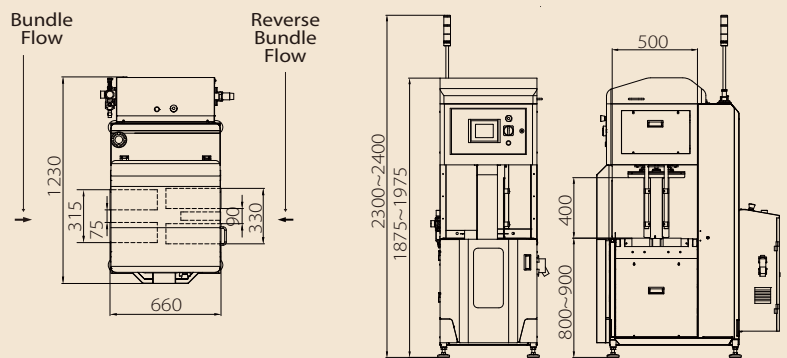
High Speed

up to **42** straps per minute



Main Features

- Robust & compact mechanical strapping head
- **Automatic tension control for various bundle dimensions** (patents registered)
- Dual pneumatic press
- Up and down stream interlocks with complete plug connection
- Fully automatic operation with variable conveyor speed
- **Siemens PLC control and touch panel**
- Light tree alarm (dual lamp)
- **Free access to strap guides** (patents registered)
- **Easy access to strapping head** (patents registered)
- Quick coil change
- Automatic end-strap detection and ejection
- Adjustable table height between 800 mm and 900 mm
- Automatic strap loop ejection



Options

- Energy saving transit with auto sleep mode
- **Operator friendly low strap sensor** (triple lamp)
- Soft press for convex bundle
- Lower adjustable table height with movable casters (730 mm – 830 mm)
- **Automatic side squaring**
- **Reverse bundle flow**
- Low volume bundle bypass
- Movable casters (picture shown with this option)
- Lever switch for bundle with wrapping
- Safety guards

TP-702NS Technical Data

Capacity

Single strapping up to 42 bundle/minute
Double strapping up to 24 bundle/minute

Bundle Size

Width	max 500 mm	min 120 mm
Height	max 400 mm	min 10 mm

Bundle Weight max 25 kg

Strap Width 5 mm, 6 mm or 9 mm P.P. strap

Strap Tension 1-32 kg

Strap Coil 200 mm (150 mm optional)

Electrical Requirements

220V, 380V, 400V 50/60 Hz 3PH

Net Weight 420 kg

Fully Automatic Longitudinal Strapping Machine

Bundle strapping in transport direction

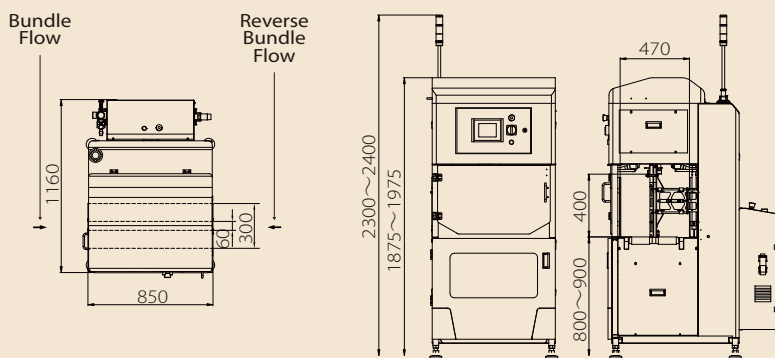
TP-702NL

The TP-702NL is a fully automatic longitudinal strapping machine. The bundle is strapped in the transport direction.



Main Features

- Robust & compact mechanical strapping head
- **Automatic self-adjusting strap chute** (patents registered)
- **Automatic tension control for various bundle dimensions** (patents registered)
- Up and down stream interlocks with complete plug connection
- Fully automatic operation with variable conveyor speed
- **Siemens PLC control and touch panel**
- Light tree alarm (dual lamp)
- **Free access to strap guides** (patents registered)
- **Easy access to strapping head** (patents registered)
- Quick coil change
- Automatic end-strap detection and ejection
- Adjustable table height between 800 mm and 900 mm
- Automatic strap loop ejection



Options

- Energy saving transit with auto sleep mode
- **Operator friendly low strap sensor** (triple lamp)
- Lower adjustable table height with movable casters (730 mm - 830 mm)
- **Reverse bundle flow**
- Low volume bundle bypass
- Movable casters (picture shown with this option)
- Adjustable side guides

TP-702NL Technical Data

Capacity up to 31 bundle/minute

Bundle Size

Width	max 450 mm	min 120 mm
Length	max 500 mm	min 210 mm
Height	max 400 mm	min 10 mm

Bundle Weight max 25 kg

Strap Width 5 mm, 6 mm or 9 mm P.P. strap

Strap Tension 1-32 kg

Strap Coil 200 mm (150 mm optional)

Electrical Requirements

220V, 380V, 400V 50/60 Hz 3PH

Net Weight 460 kg

Cross Strapping System with Multi-Angle Diverter

Cross strapping with transport direction change

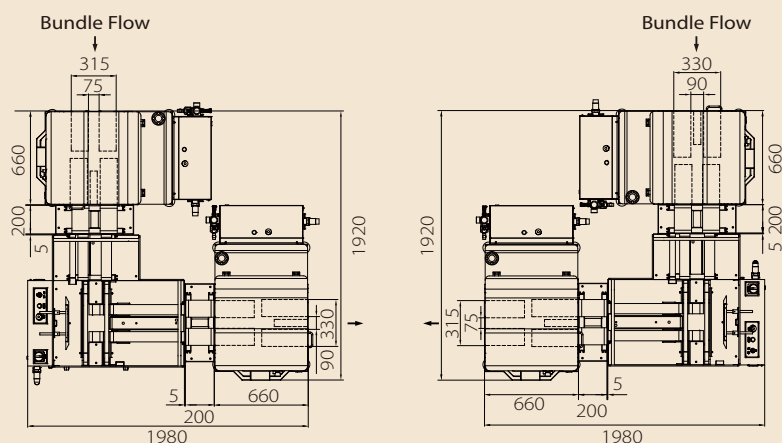
TP-702NAD

(TP-702NAD consists of two TP-702NS Strapping Machine and one N1-AD Angle Diverter)

The TP-702NAD is a fully automatic strapping system with multi-angle diverter for cross strapping requirement.

Main Features

- Robust & compact mechanical strapping head
- **Automatic tension control for various bundle dimensions** (patents registered)
- Dual pneumatic press
- Up and down stream interlocks with complete plug connection
- Waist-high auto strap feeding
- Fully automatic operation with variable conveyor speed
- **Siemens PLC control and touch panel**
- Light tree alarm (dual lamp)
- **Free access to strap guides** (patents registered)
- **Easy access to strapping head** (patents registered)
- Quick coil change
- Automatic end-strap detection and ejection
- Automatic strap loop ejection
- **Multiple infeed and delivery directions**
- Adjustable table height between 820 mm and 900 mm



Options

- Energy saving transit with auto sleep mode
- **Operator friendly low strap sensor** (triple lamp)
- Soft press for convex bundle
- **Automatic side squaring**
- Low volume bundle bypass
- Movable casters (picture shown with this option)
- Lever switch for bundle with wrapping
- Safety guards (picture shown with this option)

TP-702NAD Technical Data

Capacity single/cross strapping up to 25 bundle/minute

Bundle Size

Width	max 500 mm	min 210 mm
Length	max 500 mm	min 210 mm
Height	max 400 mm	min 10 mm

Bundle Weight max 25 kg

Strap Width 5 mm, 6 mm or 9 mm P.P. strap

Strap Tension 1-32 kg

Strap Coil 200 mm (150 mm optional)

Electrical Requirements

220V, 380V, 400V 50/60 Hz 3PH

Net Weight 1,045 kg



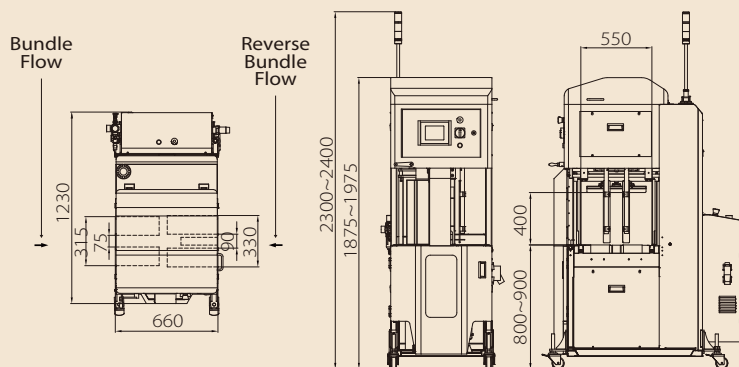
Main Features



Automatic Bundle Control

6-side automatic bundle control design provides precise bundle squaring for a wide range of bundle from 120 mm wide through 500 mm wide. It secures the integrity of the bundle and meets various applications. (zip sorted mail, magazine, digest, tabloid...etc.)

More features refer to TP-702NS



Options

- Energy saving transit with auto sleep mode
- **Operator friendly low strap sensor (triple lamp)**
- Low volume bundle bypass
- Adjustable bump-proof legs (picture shown with this option)
- Reverse bundle flow
- Safety guards
- Lower adjustable table height with movable casters (730 mm – 830 mm)

TP-702MGZ Technical Data

Capacity up to 42 bundle / minute

Bundle Size

Width	max 500 mm	min 120 mm
Length	max 500 mm	min 210 mm
Height	max 400 mm	min 10 mm

Bundle Weight max 25 kg

Strap Width 5 mm, 6 mm or 9 mm P.P. strap

Strap Tension 1-32 kg

Strap Coil 200 mm (150 mm optional)

Electrical Requirements

220V, 380V, 400V 50/60 Hz 3PH

Net Weight 460 kg

Fully Automatic Strapping Machine

High speed strapping machine for magazine strapping

TP-702MGZ

TP-702MGZ is a high speed fully automatic strapping machine, designed specifically for magazine. With its advanced precise bundle control, TP-702MGZ can well adapt stacker and assure the integrity of bundle.



Cross Strapping System with Turntable

Economical design for cross strapping needed applications

TP-711NT

TP-711NT is an economical all-round fully automatic strapping machine. The simple design of TP-711NT offers all the functionality you need and is the most cost effective option for you.



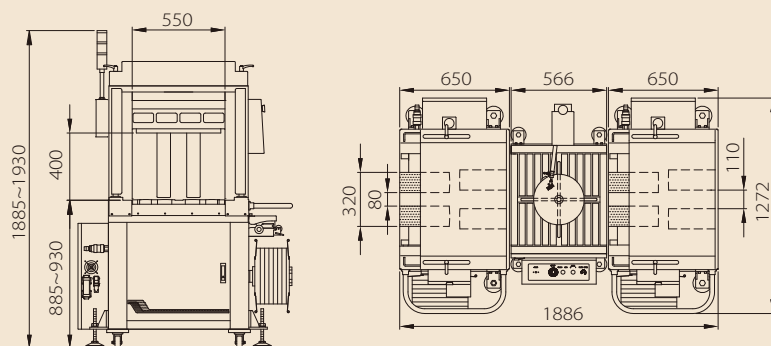
Idépack Verpakkingsmachines BV
Zeilmaker 8
NL-3861 SM Nijkerk
THE NETHERLANDS
Tel. +31(0)33 299 00 08
www.idepack.com
info@idepack.com

Made in Taiwan

09.2012X2000

Main Features

- Robust and compact mechanical strapping head
- Waist-high auto strap feeding
- Bundle rotating turntable
- Adjustable bundle stops
- **Siemens PLC control and touch panel**
- **Automatic tension control for various bundle dimensions (patents registered)**
- Light tree alarm (dual lamp)
- Jammed-strap ejection device (patents registered)
- Adjustable compression system
- Strap end detection and ejection
- Automatic strap loop ejection
- Adjustable table height between 885 mm and 930 mm
- Safety guards according to CE regulations (Optional for non-EU countries)



Options

- **Operator friendly low strap sensor (triple lamp)**
- Soft press for convex bundles
- Press bar for concave bundles
- Lower adjustable table height (815 mm - 890 mm)
- Automatic side squaring

TP-711NT Technical Data

Capacity up to 30 bundle/minute (cross strapping)

Bundle Size

Bundle Diagonals	max 510 mm	
Width x Length	min 180 x 180 mm	
Height	max 380 mm	min 10 mm

Bundle Weight max 25 kg

Strap Width 5 mm, 6 mm or 9 mm P.P. strap

Strap Tension 1-35 kg

Strap Coil 200 mm (150 mm optional)

Electrical Requirements

110V, 220V, 230V 50/60 Hz 1PH
220V, 380V, 400V 50/60 Hz 3PH

Net Weight 904 kg



All specifications are subject to change without notice.