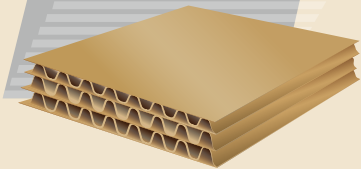


# MERCURY TP-702C

Corrugated  
Industry



TP-702C series is a high performance strapping machine designed for the corrugated industry. It offers the high strapping productivity with the most cost-effective solution.

In this category, we have three models:

- TP-702CQ Corrugated 4-side bundle squaring and strapping system
- TP-702CCQ Corrugated 3-side bundle squaring and strapping system
- TP-702C High speed corrugated strapper

# CORRUGATED STRAPPER

# Corrugated 4-Side Bundle Squaring and Strapping System

Designed Specifically for the Corrugated Industry

## TP-702CQ

TP-702CQ is built with TP-702C corrugated strapper combined with the 4-side squaring station. The backstop, pusher, and side squaring provide the precise bundle control and assure the bundle integrity during the strapping cycle. Easy bundle size change setup eliminates the downtime and makes the production more efficient. Truly user friendly machine for your casemaking line.



## Main Features



### Robust & Compact Mechanical Strapping Head

TP-702C uses the latest DC brushless motor technology to provide the highest level of accuracy and reliability on the market. All motors are German-made.

The strapping head has no belts, clutches, or pulleys. It is designed with the up-to-date technology with few moving parts. With 30% fewer parts, TP-702C requires fewer adjustments, has fewer wear components, and requires less maintenance. The simple design of TP-702C minimizes the maintenance cost.



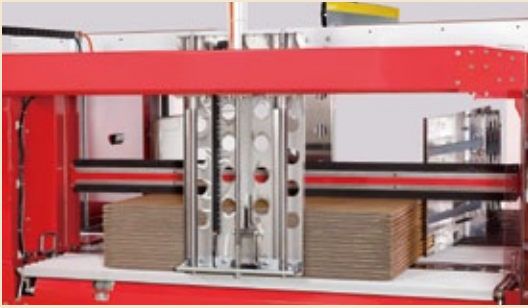
### Siemens PLC Control

Siemens PLC is the state-of-the-art controller. It is programmable and can be expanded flexibly to meet various application requirements.



### Free Access to Strap Guides (patents registered)

Unblock the guides enabling free and quick access to the strap guides without use of any tools. The most maintenance-friendly design.



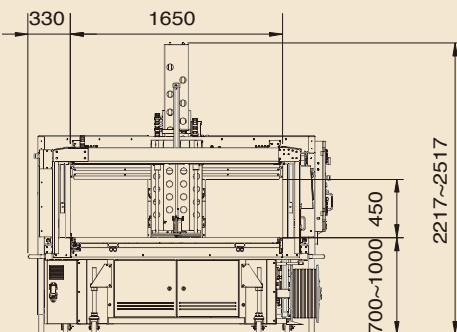
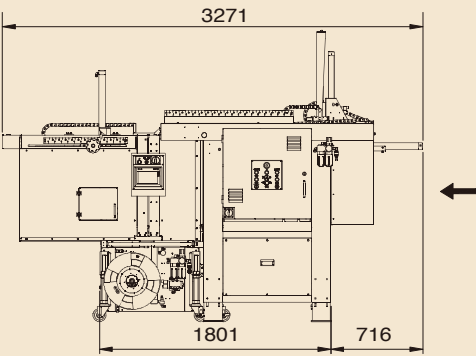
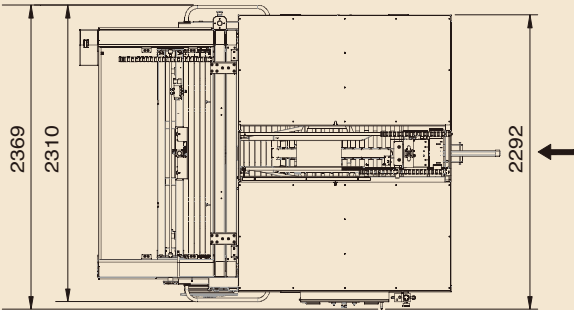
### 4-Side Squaring Bundle Control

Excellent side squaring, backstop, and pusher ensure the integrity of the bundle before strapping.



### Ergonomic Design Hinged Roller Table

Easy to open the table top if maintenance is required. User friendly.



## More Features

### Auto Strap Ejector

Loop-eject clears unwanted strap automatically. Eliminates downtime.

### Patented Jammed-strap Ejection Device

Makes it easy to remove jammed-strap. Eliminates downtime.

### Full-width Pneumatic Press

Provides the highest reliability and stability for the movement of pneumatic press.

### Multiple Strap Function

For single, double, continuous strapping, or transit mode.

### Variable Conveyor Speed

Fully automatic operation with variable conveyor speed between 10 and 60 meter/minute.

### Strap End Ejector

Eject end of strap from the inlet of strap feeding. Easy to clean the end of strap and get the machine ready for next coil of strap.

### Adjustable Pressure on Press and Squaring

Easily adjustable to adapt different bundle requirements.

## Options

- Light tree alarm with low strap sensor (triple lamp)
- LCD display for squaring position setup

## TP-702CQ Technical Data

### Arch Size (mm)

TP-702CQ-L 1650 x 450

TP-702CQ-M 1250 x 450

**Strap Width** 5 mm, 6 mm, or 9 mm

**Strap Tension** 1-32 kg

**Capacity** Up to 17 bundle/minute  
(Model: TP-702CQ-L)

### Bundle Size

min 350 mm(L) x 200 mm(W) x 50 mm(H)

**Bundle Weight** max 35 kg

**Transport Speed** 10 – 60 M/minute

### Electrical Requirements

220V, 380V, 400V 50/60Hz 3PH



# High Speed Corrugated Strapper

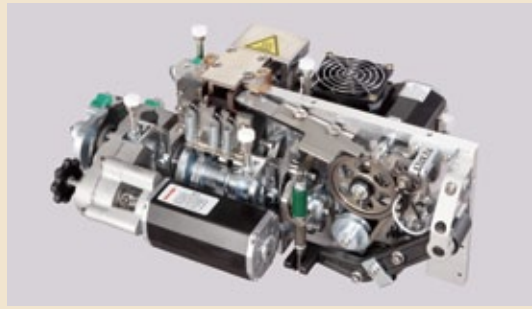
Designed Specifically for the  
Corrugated Industry

## TP-702C

The TP-702C corrugated strapper is built with Transpak's Mercury strapping head and DC brushless motor technology. It also equips with the state-of-the-art Siemens PLC, electronic control, proximity sensor, etc. Higher strapping speed, less maintenance, and proven reliability make it particularly suitable for the sheet plants.



## Main Features



### Robust & Compact Mechanical Strapping Head

TP-702C uses the latest DC brushless motor technology to provide the highest level of accuracy and reliability on the market. All motors are German-made.

The strapping head has no belts, clutches, or pulleys. It is designed with the up-to-date technology with few moving parts. With 30% fewer parts, TP-702C requires fewer adjustments, has fewer wear components, and requires less maintenance. The simple design of TP-702C minimizes the maintenance cost.



### Siemens PLC Control

Siemens PLC is the state-of-the-art controller. It is programmable and can be expanded flexibly to meet various application requirements.



### Free Access to Strap Guides (patents registered)

Unblock the guides enabling free and quick access to the strap guides without use of any tools. The most maintenance-friendly design.



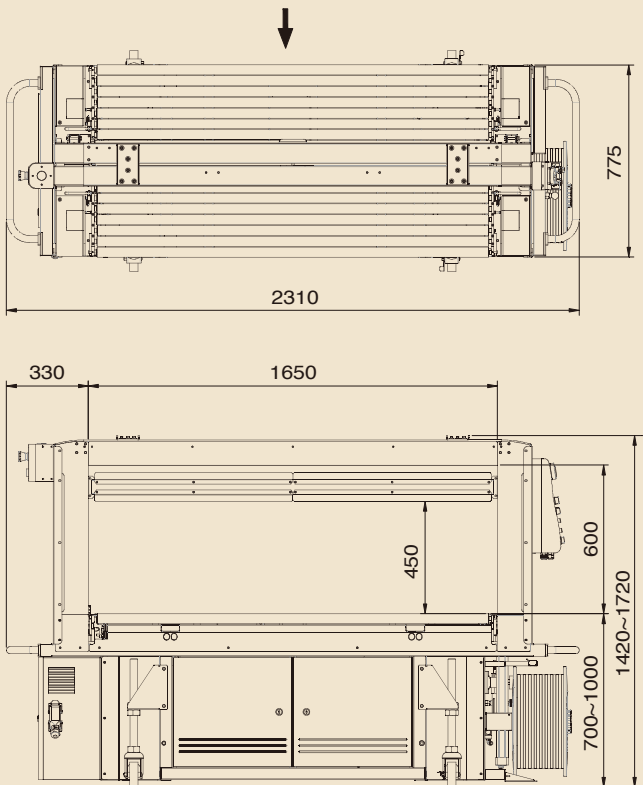
### Ergonomic Design Hinged Roller Table

Easy to open the table top if maintenance is required. User friendly.



### Extra-Large Arch Size (TP-702C-XL)

Extra-large arch size (2050 mm in width) available for the larger bundle up to 2000 mm in width.



## More Features

### Auto Strap Ejector

Loop-eject clears unwanted strap automatically. Eliminates downtime.

### Patented Jammed-strap Ejection Device

Makes it easy to remove jammed-strap. Eliminates downtime.

### Full-width Pneumatic Press

Provides the highest reliability and stability for the movement of pneumatic press.

### Multiple Strap Function

For single, double, continuous strapping, or transit mode.

### Variable Conveyor Speed

Fully automatic operation with variable conveyor speed between 10 and 60 meter/minute.

### Strap End Ejector

Eject end of strap from the inlet of strap feeding. Easy to clean the end of strap and get the machine ready for next coil of strap.

### Adjustable Table Height

The table is adjustable to any height between 700 mm and 1000 mm.

## Options

- Siemens HMI (Touch Panel)
- Light tree alarm with low strap sensor (triple lamp)
- Adjustable backstop

## TP-702C Technical Data

### Arch Size (mm)

TP-702C-XL 2050 x 450

TP-702C-L 1650 x 450

TP-702C-M 1250 x 450

**Strap Width** 5 mm, 6 mm, or 9 mm

**Strap Tension** 1-32 kg

**Capacity** Up to 33 bundle/minute (single strap)  
20 bundle/minute (double strap)  
(Model: TP-702C-L)

### Bundle Size

min 300 mm(L) x 200 mm(W) x 20 mm(H)

**Bundle Weight** max 35 kg

**Transport Speed** 10 – 60 M/minute

### Electrical Requirements

220V, 380V, 400V 50/60Hz 3PH

# Corrugated 3-Side Bundle Squaring and Strapping System

Designed Specifically for the Corrugated Industry

## TP-702CCQ

The TP-702CCQ is built with TP-702C corrugated strapper combined with the 3-side squaring station. It offers high strapping productivity with the most cost-effective bundle squaring solution for the corrugated industry.



Idépack Verpakkingsmachines BV  
 Zeilmaker 8  
 NL-3861 SM Nijkerk  
 THE NETHERLANDS  
 Tel. +31(0)33 299 00 08  
 www.idepack.com  
 info@idepack.com

Made in Taiwan

01.2014x2000

## Main Features



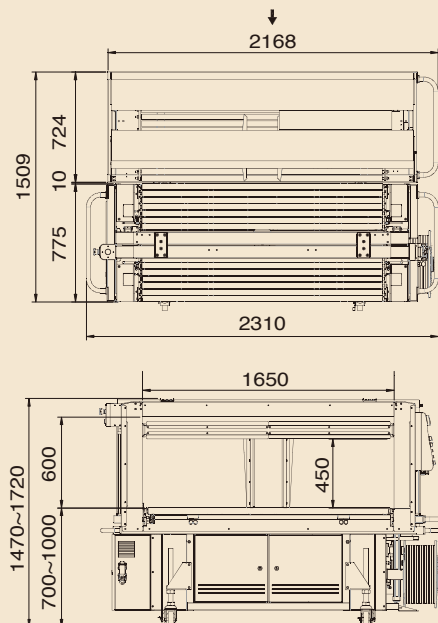
### 3-Side Squaring Bundle Control

Excellent side squaring and backstops ensure better bundle shape before strapping.

More features refer to TP-702CQ

## Options

- Siemens HMI (Touch Panel)
- Light tree alarm with low strap sensor (triple lamp)



## TP-702CCQ Technical Data

**Arch Size (mm)** TP-702CCQ-L 1650 x 450  
 TP-702CCQ-M 1250 x 450

**Strap Width** 5 mm, 6 mm, or 9 mm

**Strap Tension** 1-32 kg

**Capacity** Up to 24 bundle/minute (Model: TP-702CCQ-L)

**Bundle Size** min 300 mm(L) x 200 mm(W) x 20 mm(H)

**Bundle Weight** max 35 kg

**Transport Speed** 10 – 60 M/minute

**Electrical Requirements** 220V, 380V, 400V 50/60Hz 3PH



All specifications are subject to change without notice.