

Semi-Auto Pallet Strapping Machine for Horizontal Applications

Ergonomic and economic solution for horizontal low volume pallet strapping

TP-202MH Mini Hori

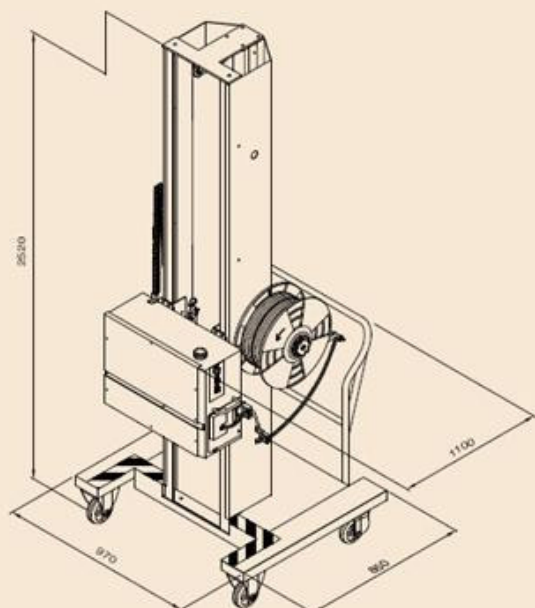


Main Features:

- ▶ **Various applications**
Suitable for fruit & vegetable boxes, concrete blocks, and pallet loaded with cardboard boxes.
- ▶ **Adjustable Strapping Height**
The strapping height is quickly and effortlessly adjustable. Allow to strap 19 cm from the floor up to 200 cm.
- ▶ **Control Panel on both sides**
With the control panel on both sides of the machine, it is easy for operation.
- ▶ **Easy to Change the Coil**
The position of strap dispenser is ergonomic design. It's convenient and energy-saving to change the coil of PP strap.
- ▶ **Mobility**
With big wheels with high mobility, it is easy to move around.

Option

- ▶ Battery power supply (TP-202MHB)



TP-202MH TECHNICAL DATA

Strap Type: PP strap
Strap Width: 9 mm-15.5 mm
Strap Tension: 15 kg-45 kg
Net Weight: 260 kg
Power: 110V, 220V, 230V 50/60Hz 1PH

All specifications subject to change without notice.